



MADE IN FRANCE



MSP


PORTABLE COMPRESSORS

From 2 to 5 m³/min - From 70 to 180 cfm

CHARACTERISTICS

PERFORMANCE

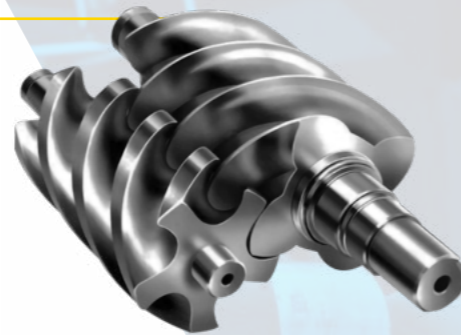
Engine specification

- + **Motor-compressor group** 
- + **Progressive flow regulation**
= automatic adaptation of engine speed and air intake according to consumption
- + **Starting system with closed air valve**
= engine less stressed when cold
= less noisy for the user




Design & components

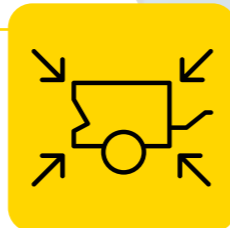
- + **Operation at high ambient temperatures as standard**
- + **Air-oil separation in 3 steps**
= superior compressed air quality
- + **Electric diesel pump**
= full use of the tank
= automatic re-ignition of the diesel circuit




ERGONOMICS

The most compact range on the market

- + **Optimized grouping** while ensuring excellent accessibility and a high level of performance
- + **Balanced weight distribution on the axle** for easier handling on site
- + **Optimized dimensions for transport and export** (up to 18 MSP per 20' container) 




Easy maintenance

- + **Quickly removable body** for easy access to components:
 - Removable side panels
 - Hood articulated by 2 gas cylinders and removable
- + **Remote drain option and retention tank** 



Optimized dashboard

- + **Quick visual check of data** (temperatures, oil pressure, battery, etc.)
- + **Valves positioned at the rear** for more comfort and safety in use 



VERSATILITY



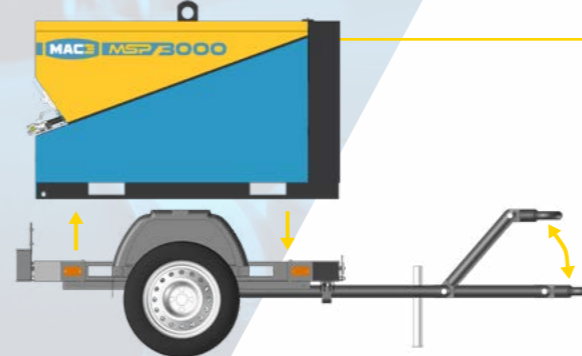
Compressor on SKID

- + Fork passages allowing **manipulation from 4 sides**
- + **Stacking option** to save space and logistics costs
- + Ideal installation **at the back of a truck or pick-up**



Axle compressor

- + All MSP compressor models have a **total laden weight of less than 750 kg**
- + Reversible axle depending on the model



Compressor on trailer

- + **1 product = multiple uses** :
 - palletizable compressor
 - axle compressor
 - towable trailer
- + Patented fastening system to disconnect the trailer from the compressor in just 2 minutes
- + Independent trailer for alternative uses

	MSP 2000	MSP 2500	MSP 3000	MSP 5000
--	----------	----------	----------	----------

		OPTIONS			
FRAME	UNLOCKED AXLE	●	●	●	●
	BRAKED AXLE	○	○	○	○
	HEIGHT ADJUSTABLE HANDLE	●	●	●	●
	FRAME COMPRESSOR	○	○	○	○
	DETACHABLE TRAILER	○	○	○	○
EQUIPMENT	WATERPROOF SKID	○	○	○	○
	DIN RING	○	○	○	○
	BALL FASTENER	○	○	○	○
	SPECIAL COLOR	○	○	○	○
	COMPRESSED AIR FINAL COOLER	-	-	-	○
	LINE GREASER	○	○	○	○
	INTEGRATED AIR CLEANER	○	○	○	○
	HOSE REEL (20m)	○	○	○	-
REMOTE DRAIN	○	○	○	○	

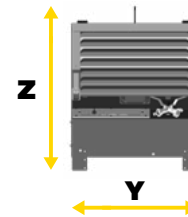
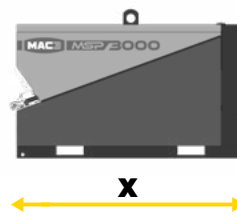
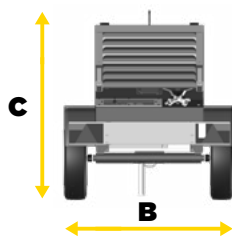
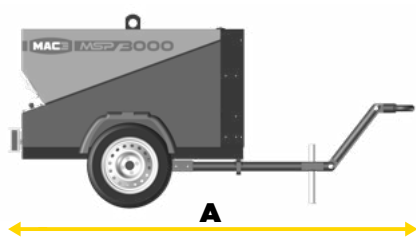
● = in standard ○ = in option

SPECIFICATIONS

		MSP 2000	MSP 2500	MSP 3000	MSP 5000				
COMPRESSOR									
OPERATING PRESSURE	bar	7	7	10	7	10	7	8,5	10
	psi	100	100	145	100	145	100	123	145
NOMINAL CAPACITY	m ³ /min	2,0	2,5	1,8	2,9	2,1	5,0	4,6	3,8
	cfm	70	90	65	105	75	180	165	135
SOUND LEVEL db(A) LWA		97	98	98	98	98	98	98	98
NB AIR FILTERS		1	1	2	2	2	2	2	2
COMPRESSOR OIL CIRCUIT L		6,5	6,5	6,5	6,5	6,5	15	15	15
COMPRESSED AIR OUTPUTS		2 x G1/2"	2 x G1/2"	2 x G1/2"	2 x G1/2"	2 x G1/2"	1" + 2 x G3/4"	1" + 2 x G3/4"	1" + 2 x G3/4"

ENGINE				
MODEL/TYPE	KUBOTA D1105 StageV	KUBOTA D1105 StageV	KUBOTA D1105 StageV	KUBOTA V1505-T
NB CYLINDERS	3	3	3	4
NOMINAL POWER kW - hp	13,0 - 17,4	17,5 - 23,5	18,5 - 24,8	31,2 - 41,8
FUEL TANK	24	24	24	80

DIMENSIONS				
WEIGHT IN KG on axle - on frame	490 - 415	505 - 430	521 - 446	728 - 638
MAXIMUM LENGTH IN MM A - X	2888 - 1514	2888 - 1550	2888 - 1550	2900 - 1820
WIDTH IN MM B - Y	1185 - 750	1190 - 760	1190 - 760	1326 - 897
HEIGHT IN MM C - Z	1320 - 980	1290 - 890	1290 - 890	1425 - 1125



COMPRESSED AIR
SOLUTIONS



DISTRIBUTED BY: